



Thrustmaster Model

TH-2000RN 4 Sets Available

For Sale



THRUSTMASTER MODEL TH-2000RN RETRACTABLE AZIMUTHING THRUSTER

TECHNICAL SPECIFICATIONS:

| | |
|------------------------------------|---|
| Type | Model TH-2000RN Hydraulic Azimuthing Thruster |
| Mounting Configuration | Through-hull Well Mounted |
| Thruster Material of Construction | ASTM A36, Grade B Carbon Steel |
| Thruster Continuous Rating | 2,000 HP (1500kW) |
| Steering Range | 360 Degree Endless Non-Stepping |
| Standard Propeller | 83-inch Four-blade Kaplan (2108 mm) |
| Standard Nozzle Type | Modified Kort Type 19A High-Thrust |
| Propeller Material of Construction | Nickel Aluminum Bronze |
| Propeller Speed at Rated Output | 279 RPM |
| Hydraulic Flow at Rated Output | 1118 U.S. GPM (4250 l/min) |
| Hydraulic Pressure at Rated Output | 2638 PSID (182 bar) |
| Nominal Static Bollard Thrust | 45,000 LBF (200 kN) |
| Nominal Weight of Thruster | 61,000 LBM (27,800 kg) |

PICTURES:





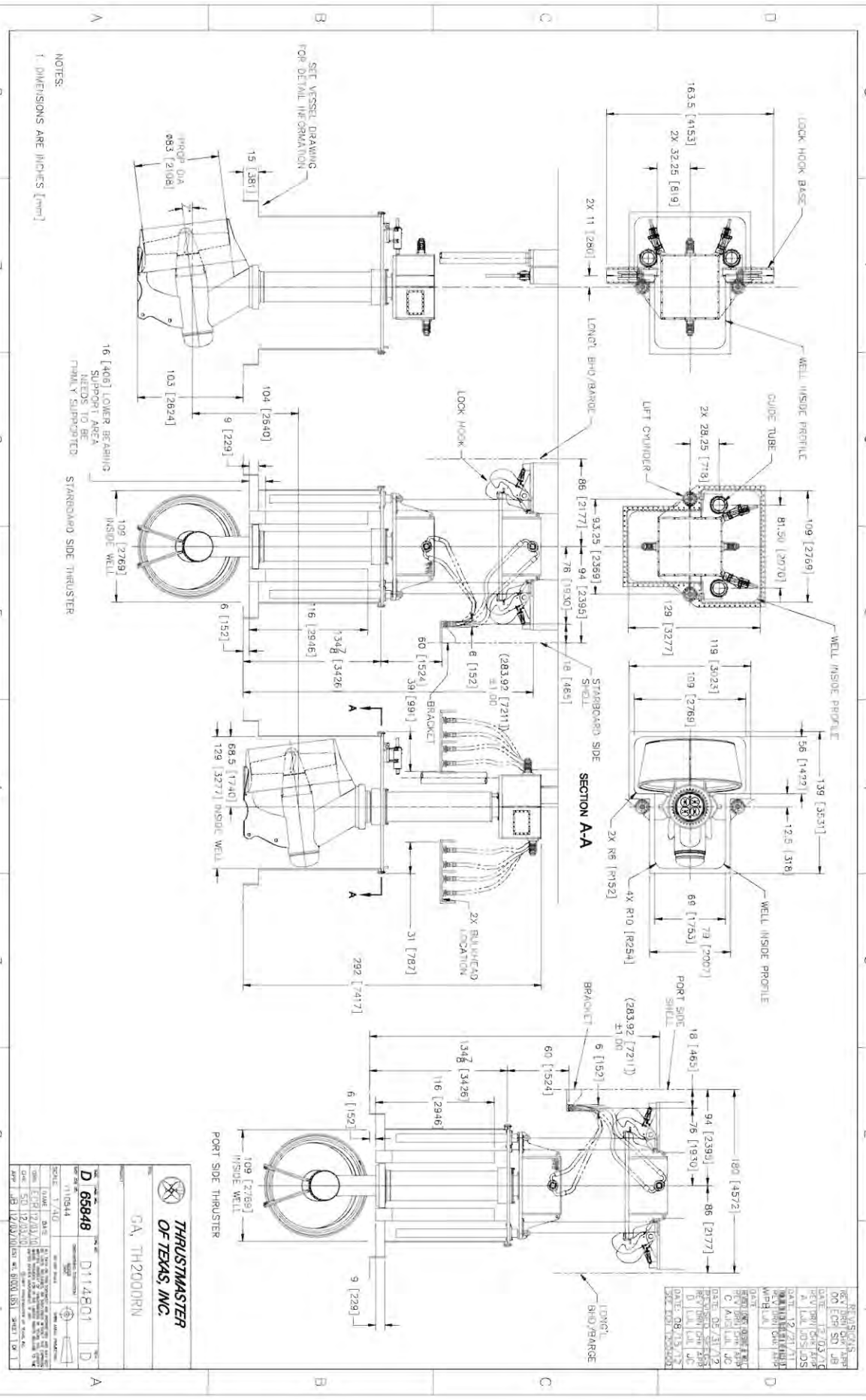
REAR VIEW

FRONT VIEW

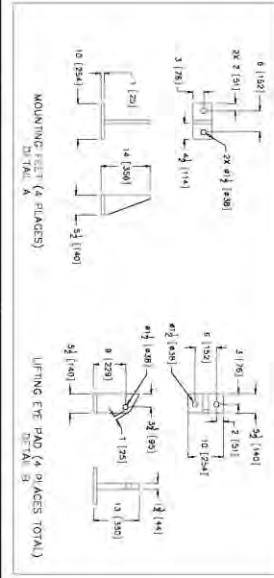
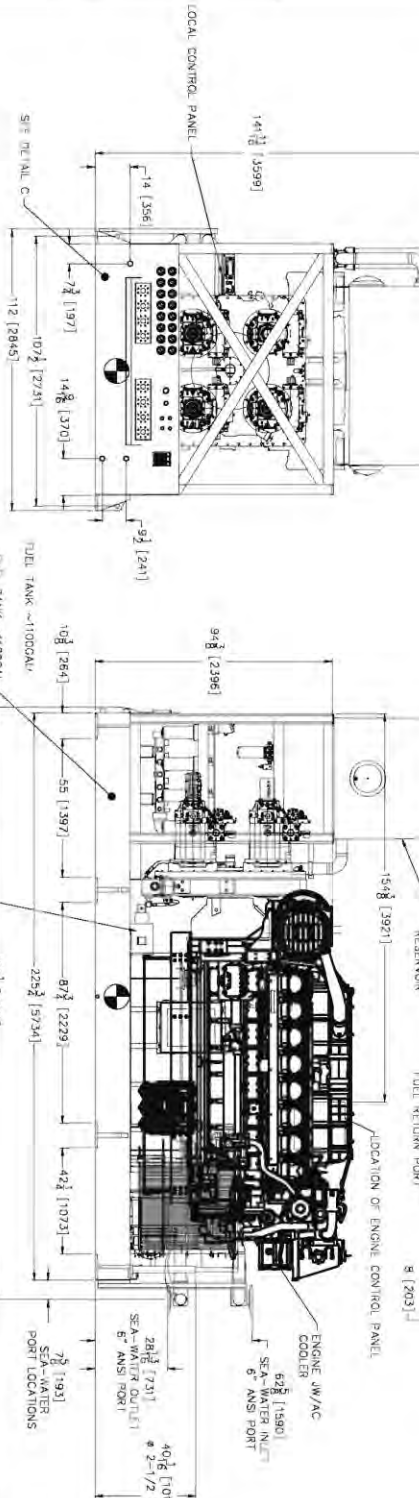
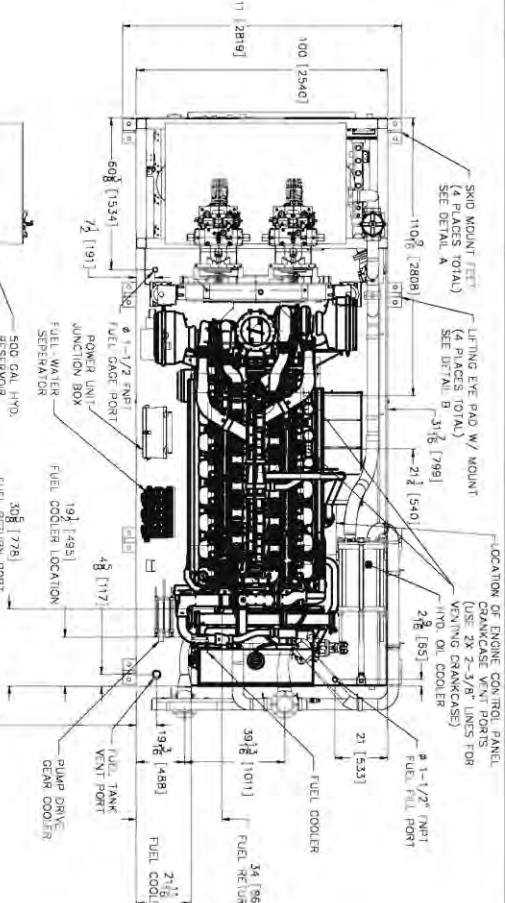
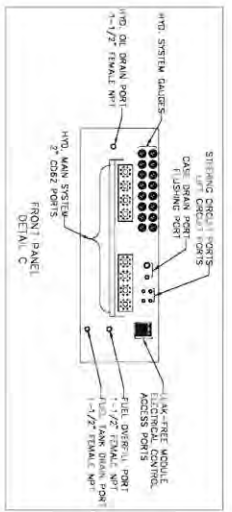


HYDRAULIC POWER UNITS





| | |
|------------------------------------|----------------------------|
| | |
| THRUSTMASTER OF TEXAS, INC. | |
| GA, TH200DRN | |
| PART NO. D 65848 | DRAWING NO. D114801 |
| DATE: 11/05/44 | DATE: 11/20/50 |
| SCALE: T 7/16 | SCALE: D |
| DESIGNED BY: [Signature] | CHECKED BY: [Signature] |
| DRAWN BY: [Signature] | APPROVED BY: [Signature] |
| DATE: 11/20/50 | DATE: 08/15/72 |
| DATE: 11/20/50 | DATE: 08/15/72 |
| DATE: 11/20/50 | DATE: 08/15/72 |
| DATE: 11/20/50 | DATE: 08/15/72 |



REVISIONS

| | | | |
|-------|----------|-----|-----|
| REV | DRN | CHK | APP |
| 00 | PKR | SSB | SSB |
| DATE: | 05/31/12 | | |

**THRUSTMASTER
OF TEXAS, INC.**

GA, HPU

TH2000RN

| | | | |
|----------|----------|-------|----------|
| ITEM NO. | C116611 | | |
| SCALE: | 1:32 | | |
| DATE: | 12/20/11 | | |
| NAME: | PKR | CHK: | SSB |
| APP: | SSB | DATE: | 05/31/12 |

- NOTE:
1. APPROXIMATE WEIGHT OF THE OPEN SKID HPU IS 6500LBS
 2. HOSES NOT SHOWN FOR CLARITY

